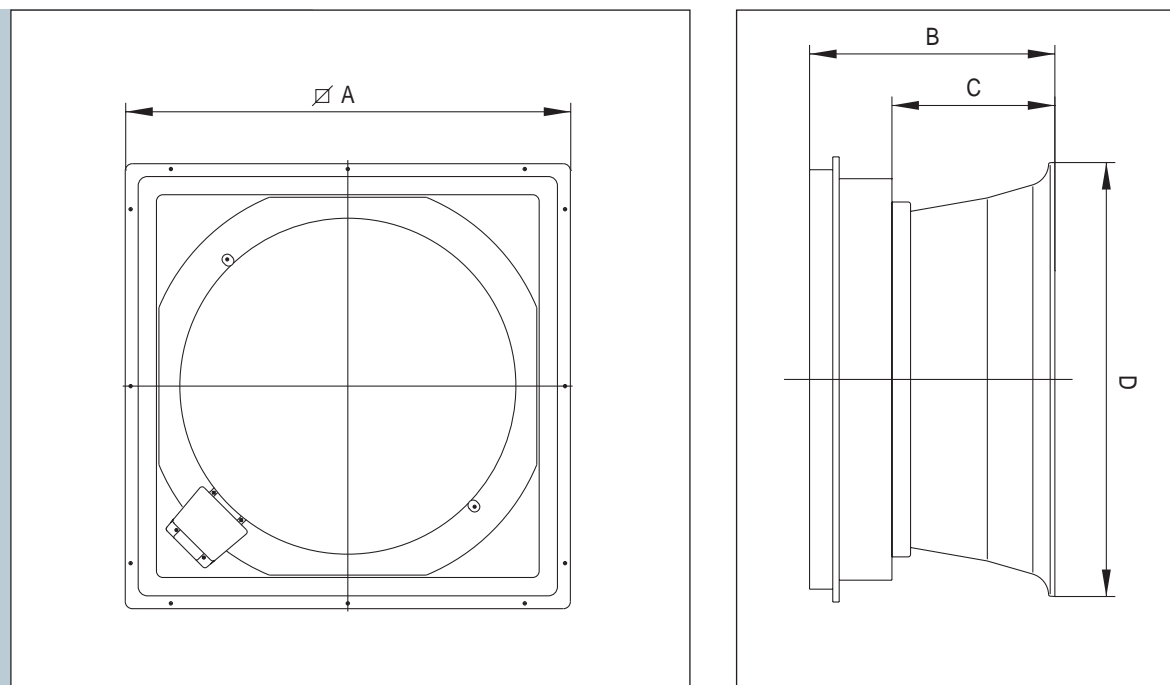
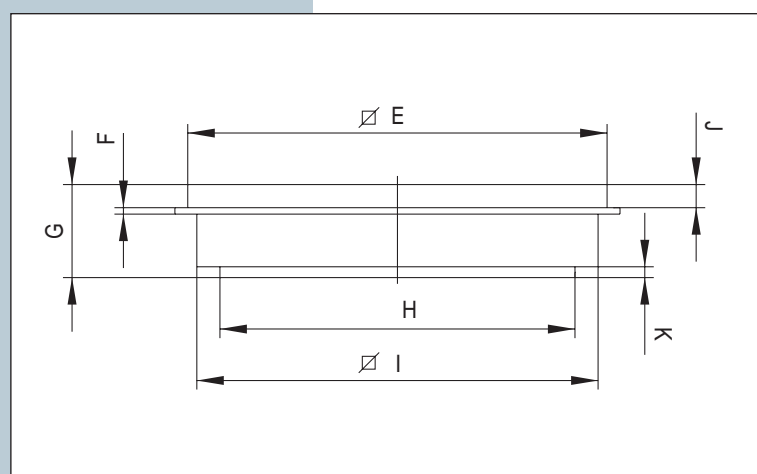


Multifan dimensions



■ Front view

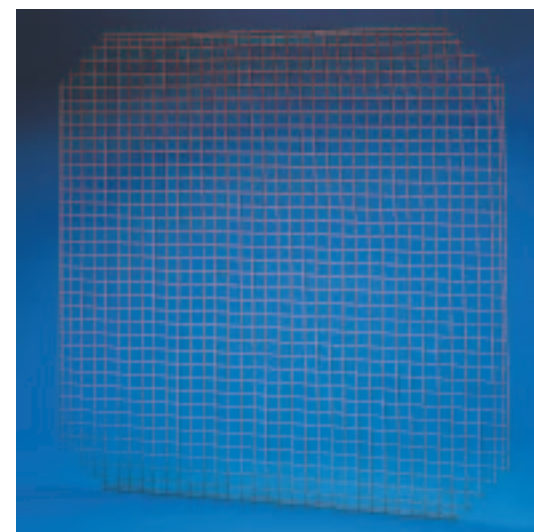
■ Side view



■ Side view

Dimensions in mm	A	B	C	D	E	F	G	H	I	J	K
920 mm	1300	1155	750	1220	1210	25	490	990	1220	30	60
1300 mm	1730	1060	740	1715	1630	25	362	1380	1560	90	42
Dimensions in inches	A	B	C	D	E	F	G	H	I	J	K
36"	51,181	45,472	29,528	48,031	47,638	0,984	19,291	38,976	48,031	1,181	2,362
50"	68,110	41,732	29,134	67,520	64,173	0,984	14,252	54,331	61,417	3,543	1,654

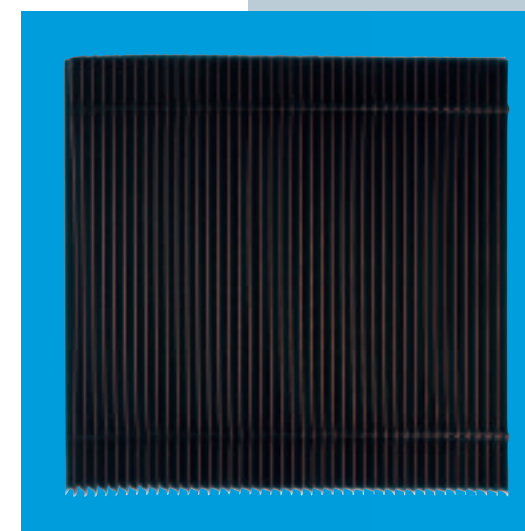
Multifan fan accessories



■ CE-wire guard



■ High durable plastic shutters



■ Light trap

Vostermans
companies



Headquarters:
Vostermans Ventilation B.V.
P.O. Box 3025
5902 PA Venlo - Holland
Tel. +31 (0)77 389 32 32
Fax +31 (0)77 382 08 93
E-mail: ventilation@vostermans.com



ISO 9001

Branch offices:
Vostermans Ventilation Inc. - Bloomington Ill., U.S.A.
Tel. +1 309 827-97 98
Fax +1 309 829-19 93
E-mail: ventilation@us.vostermans.com

Vostermans Ventilation S.A.R.L. - Evreux, France
Tel. +33 (0)2 32 38 11 00
Fax +33 (0)2 32 33 37 12
E-mail: ventilation@fr.vostermans.com

Internet: www.vostermans.com

Multifan



Multifan



INTERNATIONAL VENTILATION SYSTEMS



Multifan means quality

M U L T I F A N F A N S V E N L O H O L L A N D

05-2004 ©MARESMARESDRUK00039E

(Subject to alterations)

C O N E F A N S

Multifan cone fans

Multifan technical data

Multifan technical data

Housing

Unbreakable housing is insulated, easy to install without sharp edges.

Cone

Unbreakable durable poly cone.

Bearing construction

Long lifetime bearing construction, easy to mount and dismount.

Impellerblade

Hollow high durable fibreglass reinforced impellerblade which assures high air volume, low noise level and high efficiency.

Frame and motormount

Aluminum frame and motormount with stainless steel hardware to prevent corrosion.

Non-stretch link belt

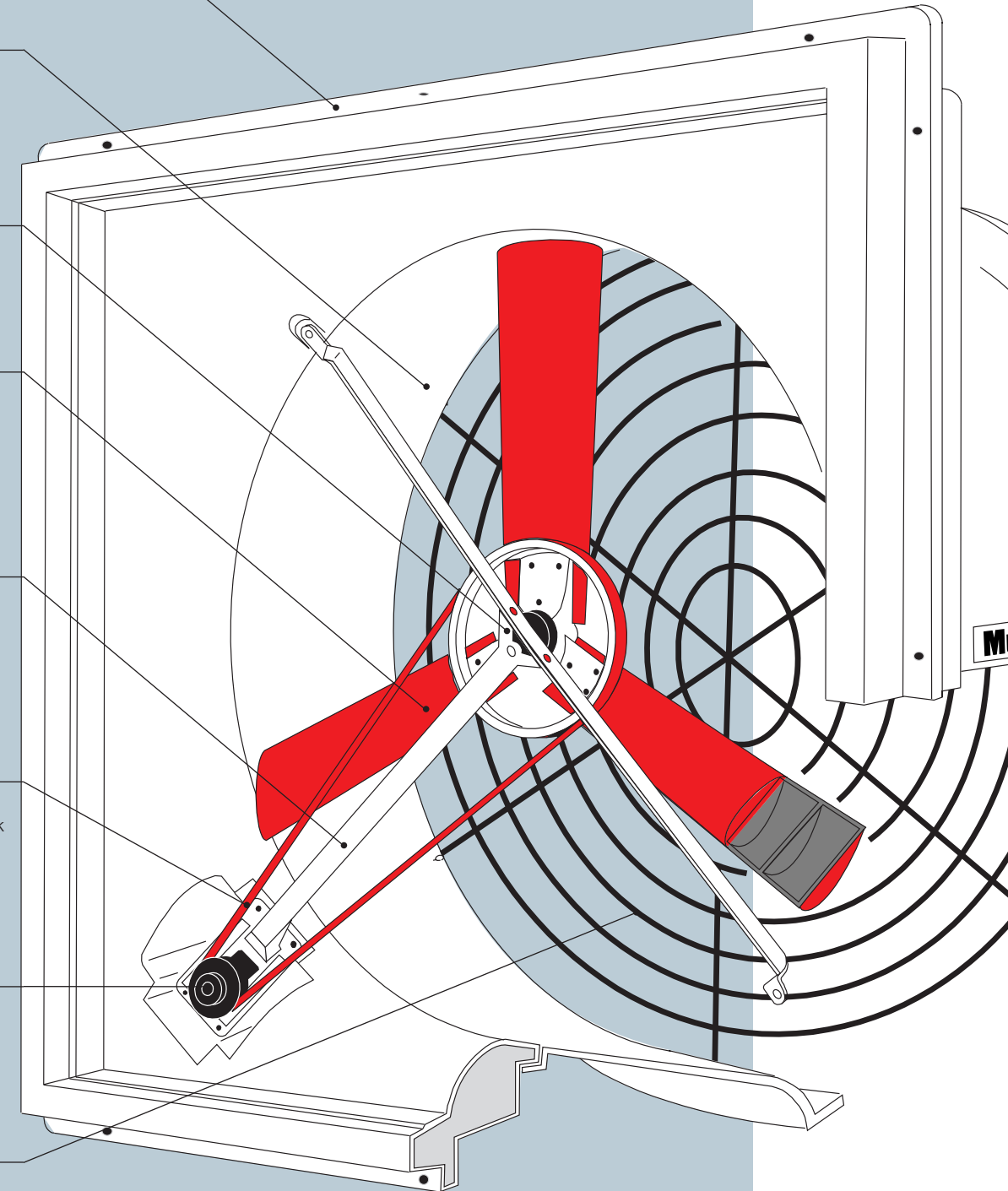
Red high efficient link belt. Only one adjustment needed; remove one link after approx. 30 days running.

Motor

High quality efficient motor.

Guard

PVC coated easy to mount guard.

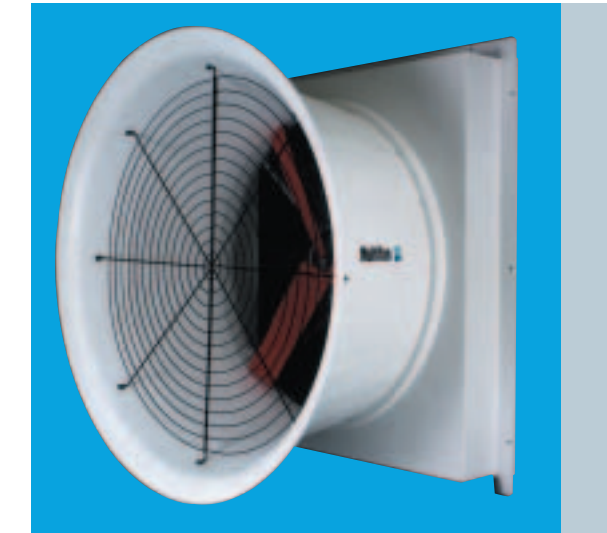


130 cm (50") Cone fan

The ultimate in airflow and superior quality construction make up this powerful fan system

Features:

Unbreakable poly insulated housing, poly cone, cast aluminium motor mount, fiberglass reinforced blades, stainless steel hardware, belt drive heavy duty efficient motor with 1 year warranty, red non-stretch link belt, PVC coated guard, PVC corrosion proof shutters, with very little assembly required. Fans and cones nest to cut freight costs.



Technical data (metric)

Data without shutter, with cone

n	Type	Impeller range cm	Frequency Hz	Voltage V	Watt	W/1000 m3/h	dB(A)	Motor protection switch Amp.	Control-able	Amp. 230V	Amp. 400V	kg
580 RPM	4D130Q	129	50	230/400	1200	23	67	4,4/2,6	on/off	4	2.3	80
580 RPM	4D130Q	129	60	230/400	1200	23	67	5,1/3	on/off	4.6	2.7	80

Capacities in m3/h

n	Type	Pa max	0 Pa	10 Pa	20 Pa	30 Pa	40 Pa	50 Pa	60 Pa	70 Pa	80 Pa
580 RPM	4D130Q	80	52350	49600	46400	43450	40100	36750	32800	26950	16950
580 RPM	4D130Q	80	52350	49600	46400	43450	40100	36750	32800	26950	16950

Loses: Without cone: -/- 14%

With shutter: -/- 6%

US-version (CFM)

Data with shutter, with cone

n	Type	Impeller range inch	Frequency Hz	Voltage V	Watt	CFM/ Watt	dB(A)	Motor protection switch Amp.	Control-able	Amp. 230V	LBS
580 RPM	MF50-C (4E130Q) 0,75kW	50	60	230	1200	25.6	67	7.5	on/off	6.2	176.4

Capacities CFM

n	Type	SP max	0 SP	0.05 SP	0.10 SP	0.15 SP	0.20 SP	0.25 SP	0.30 SP
580 RPM	MF50-C (4E130Q) 0,75kW	0.34	28300	26750	24800	22400	18500	14200	6200

Loses: Without cone: -/- 14%

Without shutter: + 6%

92 cm (36") Cone fan

Affordable Benefits:

Motor is variable speed designed to turn a specific impeller to achieve optimum efficiency. Motor is totally enclosed with an air-over design with diecast aluminium housing. Single phase fans have an automatic thermal protection and heat resistance to 311 degrees Fahrenheit (155°C)

Features:

Unbreakable poly insulated housing, poly cone, cast aluminium motor mount, highly efficient impeller, stainless steel hardware, direct drive variable speed motor with three year warranty, PVC coated guard, PVC shutters are corrosion-proof, very little assembly required. Fans and cones nest to cut freight costs. Fan is UL & CSA approved.



Technical data (metric)

Data without shutter, with cone

n	Type	Impeller range cm	Frequency Hz	Voltage V	Watt	W/1000 m3/h	dB(A)	Motor protection switch Amp.	Control-able T/E	Amp. 230V	Amp. µF/400	kg
900 RPM	6E92Q	92	50	230	660	29.9	61	4.1	T/E	3.4	16	29
800 RPM	8E92-3PP-21Q	92	60	240	640	29.3	61	4.2	T/E	3.5	30	29

n	Type	Impeller range cm	Frequency Hz	Voltage V	Watt	W/1000 m3/h	dB(A)	Motor protection switch Amp.	Control-able T/E	Amp. 230V	Amp. 400V	kg
900 RPM	6D92Q	92	50	230/400	630	28.8	61	2,9/1,7	T	2.3	1.3	29
800 RPM	8D92-3PP-21Q	92	60	230/400	640	29.5	61	3,7/2,1	T	3	1.7	29

Capacities in m3/h

n	Type	Pa max	0 Pa	30 Pa	50 Pa	80 Pa	100 Pa
900 RPM	6E92Q	100	21900	18800	16550	11300	8050
800 RPM	8E92-3PP-21Q	80	22200	18250	15200	7900	4100
900 RPM	6D92Q	100	21900	18800	16550	11300	8050
800 RPM	8D92-3PP-21Q	80	22200	18250	15200	7900	4100

US-version (CFM)

Data with shutter, with cone

n	Type	Impeller range inch	Frequency Hz	Voltage V	Watt	CFM/ Watt	dB(A)	Motor protection switch Amp.	Control-able T/E	Amp. 230V	LBS
800 RPM	MF36-C (8E92-3PP-21Q)	36	60	230	640	19.6	61	3.9	T/E	3.5	63.8
800 RPM	MF36-C (8D92-3PP-21Q)	36	60	230/400	640	19.6	61	3,7/2,1	T	3,0/1,7	63.8

Capacities CFM

n	Type	SP max	0 SP	0.05 SP	0.10 SP	0.15 SP	0.20 SP	0.25 SP	0.30 SP
800 RPM	MF36-C (8E92-3PP-21Q)	0.3	12570	11677	10626	9513	7988	6519	4263
800 RPM	MF36-C (8D92-3PP-21Q)	0.3	12570	11677	10626	9513	7988	6519	4263