



## Casing Fan 92

To support the minimum ventilation for industrial and agricultural applications, Vostermans Ventilation introduces a new version of the Multifan Casing Fan 92. The Multifan Casing Fan 92 is characterized by a compact design and is delivered as a complete unit, easy to install.

### Specific features

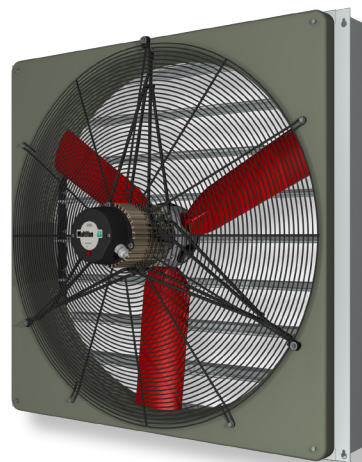
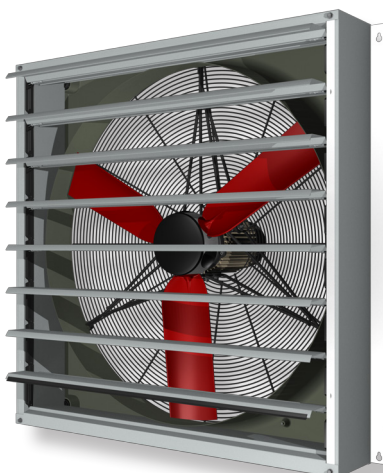
The flange makes it possible to easily build in the Multifan Casing Fan 92 in the wall. The unit is provided with a specially developed panel fan, which is integrated in the casing. The solid frame ensures the necessary stability. The direct driven fan is more efficient and needs less maintenance compared to belt driven fans. The standard three-phase motor is not speed controllable, however other versions (single-phase, speed controllable through transformer or frequency controller) are deliverable at request. The fan can be provided with a CE-approved grill at the motor side and a grill at the shutter side. The fan is supplied with a new type of shutter which reduces air and light entrance from outside. The fan (exclusive shutter and grill) has a 3 year warranty.

### Features:

- Optimal motor – impeller combination
- Motor construction Class F (155°C/311°F)
- Rotor and stator are corrosion resistant coated
- Corrosion free parts and fastening material
- Special bearings with special grease
- The windings are provided with 3 insulation layers
- All parts can be recycled
- Water resistant (IP55)

### Advantages:

- Low power consumption
- Long durability
- High reliability
- Low maintenance
- Easy to install
- Easy cleaning
- Suitable for different applications
- Safe in use
- Low noise level
- 3 year warranty on the fan



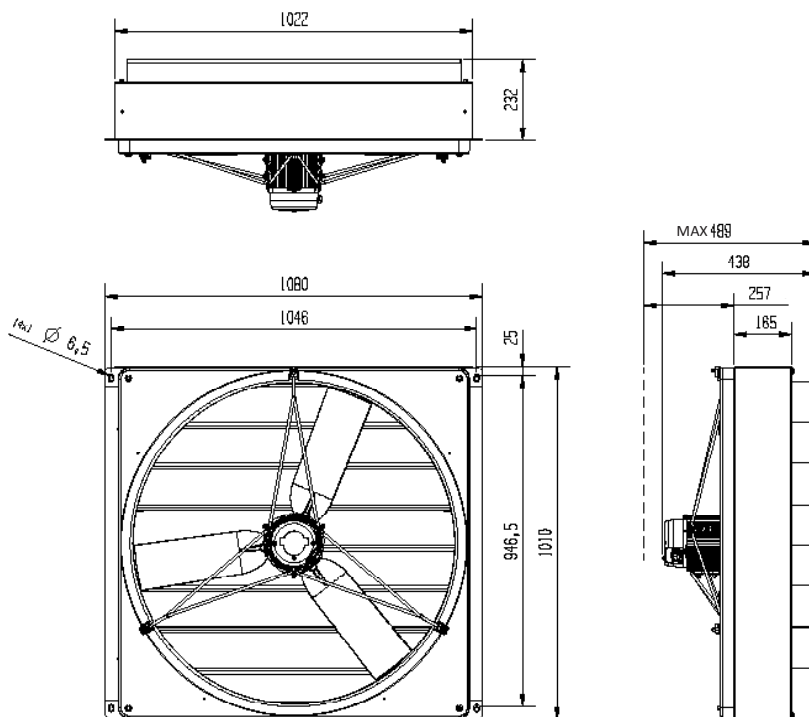
# Technical information

3~230/400 V 50 Hz	900 RPM	Type	I <sub>nom</sub>	I <sub>max</sub>	P <sub>in</sub>	Specific power (W / 1000 m <sup>3</sup> h)	Controllability*	Motor Protection Switch	L <sub>pa</sub> **
		Ø mm	(A)	(A)	(W)	at 0 Pa	(A)	(A)	(dB (A))
3~230/400 V 50 Hz	900 RPM	920 Casing 6D92	2,60	1,50	680	38,9	ON / OFF	2,9 / 1,7	67
		920 Casing 6D92	2,85	1,65	760	37,7	T/F	3,1 / 1,8	64
	920 Casing 6E92	4,15	-	820	37,5	E/T	4,8	67	

(\*) Controllable Electronically (E), by Transformer (T) or by Frequency (F)  
 (\*\*) Sound pressure level measured at 7 m. free blowing distance.

3~230/400 V 50 Hz	900 RPM	Type	Fan performance in m <sup>3</sup> /h									
			Pa <sub>max</sub>	0 Pa	10 Pa	20 Pa	30 Pa	40 Pa	50 Pa	60 Pa	70 Pa	80 Pa
3~230/400 V 50 Hz	900 RPM	Casing 6D92	80	17.500	16.900	16.200	15.300	14.300	13.200	12.000	10.700	9.500
		Casing 6D92	80	20.300	19.400	18.500	17.600	16.600	15.600	14.500	13.000	11.500
	Casing 6E92	80	20.300	19.400	18.500	17.600	16.600	15.600	14.500	13.000	11.500	

Optional: wire guard at suction side and wire guard at blowing (shutter) side  
 All air capacities without wire guard



## Vostermans

### Ventilation



Vostermans Ventilation B.V.  
 P.O. Box 3025  
 NL-5902 RA Venlo – Holland  
 Tel. +31 (0)77 389 32 32  
 Fax +31 (0)77 382 08 93  
[ventilation@vostermans.com](mailto:ventilation@vostermans.com)  
[www.vostermans.com](http://www.vostermans.com)

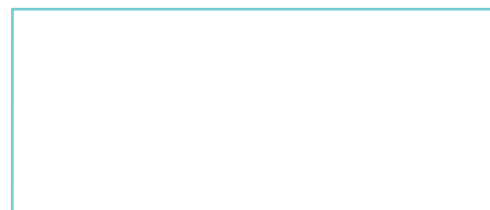
Vostermans Ventilation S.A.R.L.  
 B.P. 1801  
 27018 Evreux Cedex  
 France  
 Tel. +33 (0)2 32 38 11 00  
 Fax +33 (0)2 32 33 37 12  
[ventilation@vostermansfrance.com](mailto:ventilation@vostermansfrance.com)  
[www.vostermans.com](http://www.vostermans.com)

Vostermans Ventilation Inc.  
 2439 S.Main St. – USA  
 Bloomington, IL 61704  
 Tel. +1 309 827 - 9798  
 Fax +1 309 829 - 1993  
[ventilation@vostermansusa.com](mailto:ventilation@vostermansusa.com)  
[www.vostermansusa.com](http://www.vostermansusa.com)

Vostermans Ventilation Sdn. Bhd.  
 330, Lot 2593, Jln Seruling 59, Kws3,  
 Tmn Klang Jaya, 41200, Klang,  
 Selangor D.E., Malaysia  
 Tel. +60 (0)33324 3638 (HL)  
 Fax +60 (0)33324 1239  
[ventilation@vostermansasia.com](mailto:ventilation@vostermansasia.com)  
[www.vostermans.com](http://www.vostermans.com)

Vostermans Ventilation B.V. develops, manufactures and distributes the full line of:

**Multifan**



All rights reserved. Vostermans Companies is not responsible for inaccurate or incomplete data. In case of questions and / or regards, please contact [info@vostermans.com](mailto:info@vostermans.com)

